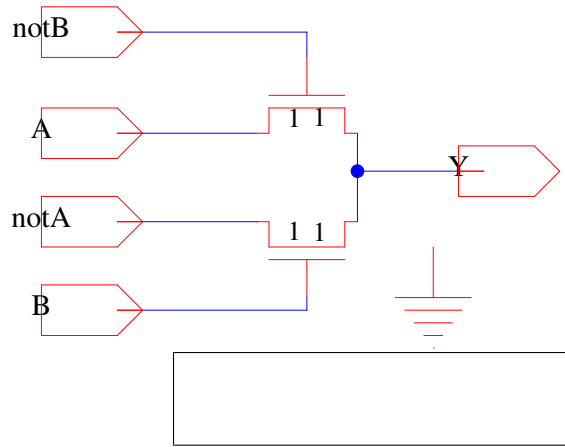


Assume $V_{thn}=300mV$ and $V_{dd}=1V$.

- Assuming $\text{not}A=\bar{A}$ $\text{not}B=\bar{B}$, and all 4 inputs driven by rail-to-rail CMOS inputs, what function does this circuit perform?

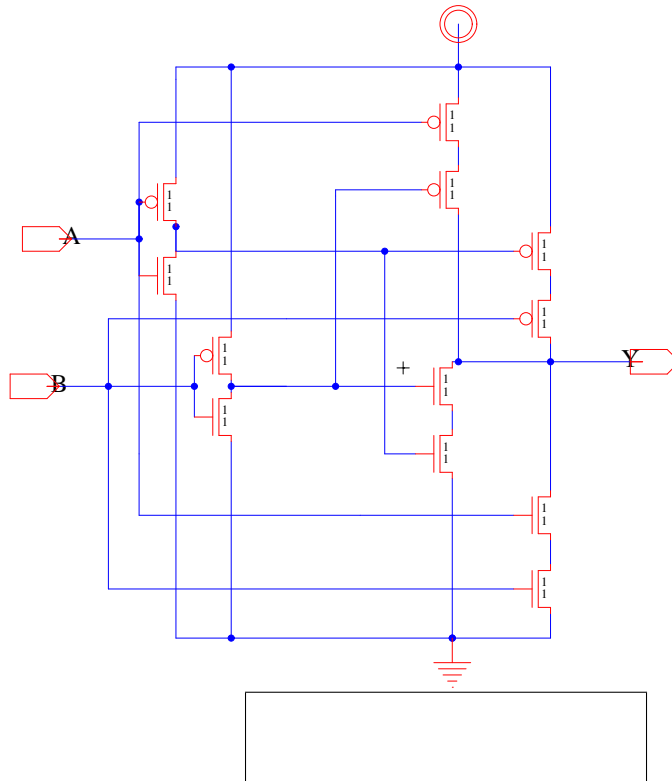


(ground terminal just used for NMOS body contacts)

Hint: What is the truth table?

A	B	Y
0	0	
0	1	
1	0	
1	1	

- What function does this circuit perform?



3. Assuming this circuit is loaded by an inverter (equivalently, the inverter input of another copy of this circuit), what is equivalent RC circuit on the output if $A=1$? ($C_{diff} = 0$)

Circuit	
B=0	
RC Circuit	Delay
B=1	
RC Circuit	Delay

4. Assuming this circuit is loaded by an inverter (equivalently, the inverter input of another copy of this circuit), what is equivalent RC circuit on the output if $A=1$? ($C_{diff} > 0$)

Circuit	
B=0	
RC Circuit	Delay
B=1	
RC Circuit	Delay