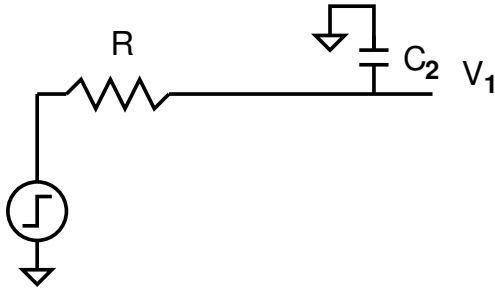
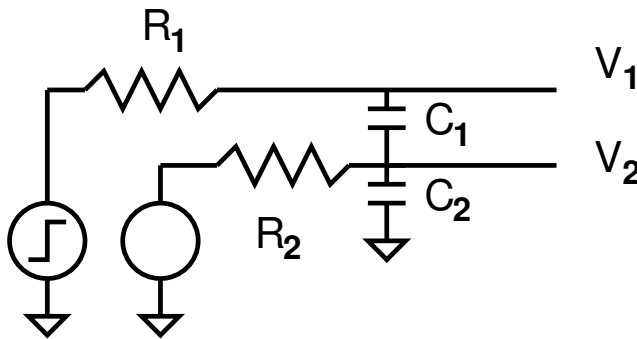


1. What happens at V_1 when the input switches?



2. What happens to V_2 when V_1 switches?

3. What happens to V_2 when V_1 switches?



$\tau_1 \ll \tau_2$	
$\tau_1 \approx \tau_2$	
$\tau_1 \gg \tau_2$	