

University of Pennsylvania
Department of Electrical and System Engineering
Circuit-Level Modeling, Design, and Optimization for Digital Systems

ESE3700, Spring 2023

HW4: Delay, MOS Transistor

Friday, February 10

Due: Friday, February 17, 11:59PM

Unless otherwise noted, assume:

- 22nm PTM Spice models that you used on HW2: /home1/e/ese3700/ptm/22nm_HP.pm
- $V_{dd} = 0.8V$, $V_{thn} = 300mV$, $V_{thp} = -300mV$, $C_{OX} = 35 \frac{fF}{\mu m^2}$, $L_{drawn} = 22nm$, $L_{eff} = 17nm$, $W = 44nm$, $n = 1.5$, $\nu_{SAT} = 10^5 \frac{m}{s}$, $\lambda = 0$, $\mu_n = 540 \frac{cm^2}{V \cdot s}$, $\mu_p = 200 \frac{cm^2}{V \cdot s}$, $T = 27C$ (300K)
- For analytic device modeling, use the follow NMOS IV Model Equations

– Resistive:

$$I_D = \mu_n C_{OX} \left(\frac{W}{L} \right) \left((V_{GS} - V_{th}) V_{DS} - \frac{(V_{DS})^2}{2} \right) \quad (1)$$

– Saturated (Pinch Off):

$$I_D = \frac{1}{2} \mu_n C_{OX} \left(\frac{W}{L} \right) (V_{GS} - V_{th})^2 \quad (2)$$

– Velocity Saturated:

$$I_D = \nu_{sat} C_{OX} W \left(V_{GS} - V_{th} - \frac{V_{DSAT}}{2} \right) \quad (3)$$

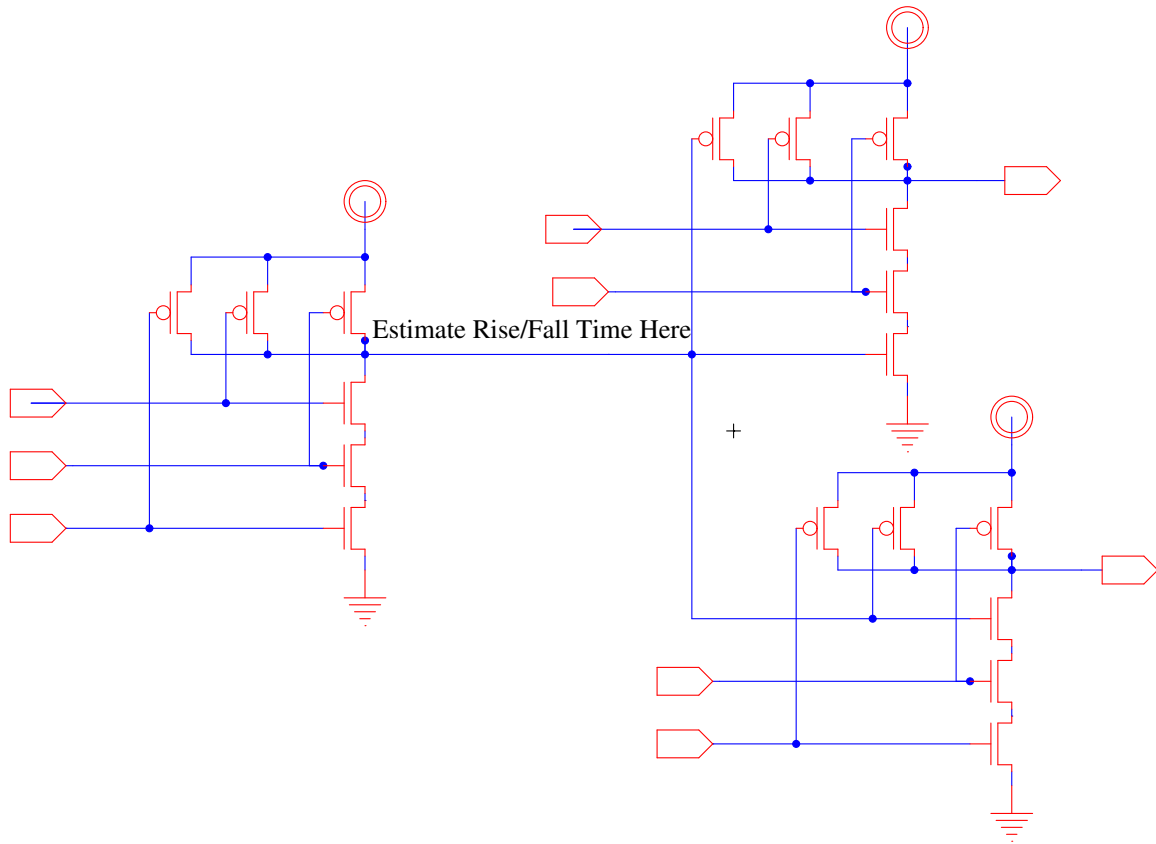
– Subthreshold:

$$I_D = I_S \left(\frac{W}{L} \right) e^{\frac{V_{GS} - V_{th}}{nkT/q}} \quad (4)$$

with $I_S = 1\mu A$

NOTE: The parameters are rough approximations and will not match SPICE perfectly.

- Using a first-order model and assuming (a) each transistor has an on resistance R_{on} and (b) each gate has a gate capacitance C_{gate} , what is the worst-case rise and fall time of the signal marked?



For a CMOS circuit, we generally want I_{on}/I_{off} large in order to: (a) achieve output voltages close to the rail, (b) switch quickly, and (c) leak little. Questions 2-5 provide some setup then culminates in a small design problem to select voltage to achieve a target, large I_{on}/I_{off} even in the face of variation.

2. Consider an inverter with $V_{in} = V_{dd}$ after the output has settled to steady state. Using equations:
 - (a) Identify the region of operation for the two transistors.
 - (b) Identify the current through the transistors.
 - (c) Identify V_{ol} . (We specifically want to know how far it is from 0; so, do not approximate it as zero as we would typically, but try to identify the small, non-zero value.)

3. At room temperature what is $I_{on}/I_{off} = I_{ds}(V_{gs} = V_h) / I_{ds}(V_{gs} = V_l)$ for an NMOS transistor used in an inverter with $W_p = W_n$; assume $V_{ds} = V_{dd}$ for the NMOS in both the ideal case (a) and worst case (b), so this is just after the input switches from $V_{gs} = V_l$ to $V_{gs} = V_h$.
 - (a) Ideal: $V_h = V_{dd}$, $V_l = 0V$
 - (b) With 100mV noise margins: $V_h = V_{dd}-100mV$, $V_l = 100mV$

4. What is the impact of increasing V_{th} on the following: (we want a description with words and equations.)
 - (a) Speed of charging?
 - (b) I_{on}/I_{off} with 100mV noise margins (case b above).

5. Consider the simple CMOS inverter operated at $V_{dd}=500mV$.
 - (a) What makes this case different from the $V_{dd}=0.8V$ case?
 - (b) Identify V_{oh} , V_{ih} , V_{il} , V_{ol} , and the high and low noise margins that provide proper restoration. Hint: Think about the extreme ends of the VTC.
 - (c) What does this tell you about your freedom to select V_{dd} and still achieve proper operation?

6. Design problem: Use equations to select V_{dd} , V_{th} to achieve $I_{on}/I_{off} > 10^6$ for an NMOS transistor as used in an inverter. Try to keep V_{dd} as small as possible. Assume 100mV noise margin, so $V_{ih} \approx V_{dd} - 100mV$, $V_{il}=100mV$. This minimum I_{on}/I_{off} ratio should hold across the temperature range 0C to 100C. It might be helpful to set up an excel sheet to make the design problem easier.