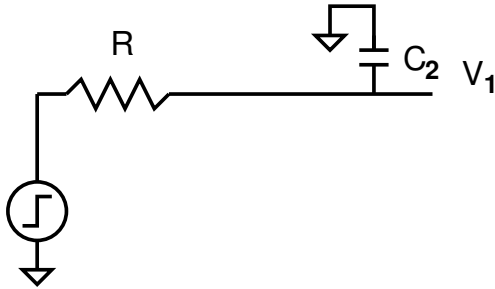
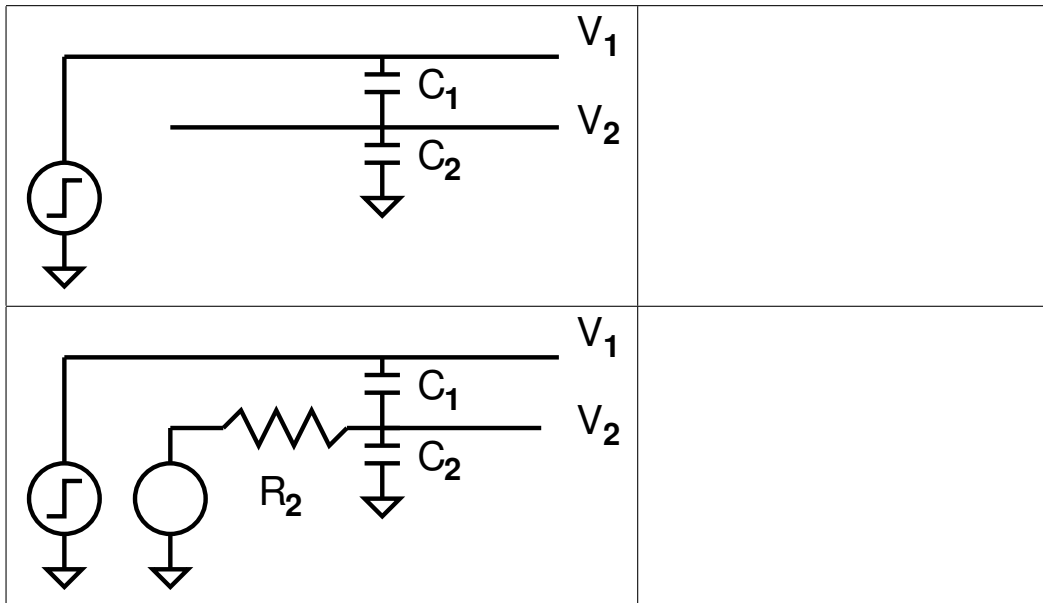


1. What happens at V_1 when the input switches?



2. What happens to V_2 when V_1 switches?



3. What happens to V_2 when V_1 switches?

